

# P-3 Engine Oil Cooler Upgrade

## Honeywell

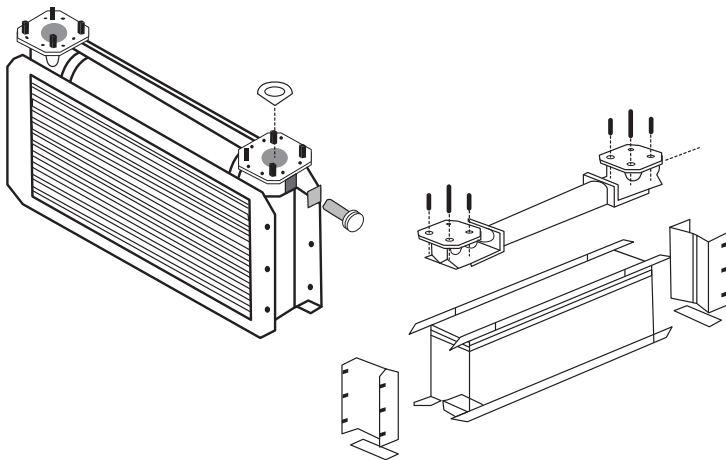


### Reliability & Performance Enhancements

#### Critical Issues

- » Oil cooler blockage
- » Broken/bent fins limiting cooling
- » High maintenance cost
- » Labor intensive

- » The RECORE Process
  - Disassembly of the failed oil cooler
  - Removal and replacement of cooling core
  - Refurbishment of the pans, valve, drain plug, flanges & brackets
  - Reassembly utilizing the new OEM core
  - Dimensional inspection to OEM drawings
  - Acceptance testing to appropriate Navair Depot Manual 15A-69-3
  - OEM Certified



P/N 8529935

NSN 2935-00-887-4267

Fully Interchangeable with  
Lockheed Martin P/N 634080-11

RECORE® Accomplished IAW OEM Specifications  
RECORE® Process Specification LR0301-003

### Features and Benefits

- » Most cost effective solution to extend service life
- » Reduced Man Hours: No routine servicing required
- » Corrosion resistant design and material
- » Reliability oil cooling capabilities
- » 18-month warranty
- » Exchange program available



Kellstrom Defense  
15501 SW 29th St.  
Suite 101  
Miramar, FL 33027  
Phone: 954.538.2000  
www.kellstromdefense.com  
sales@kellstromdefense.com